



Na_2SO_4 Production Plants

Highlights

Production of high purity Na_2SO_4 from brine:

- $\text{Na}_2\text{SO}_4 \geq 99.5\%$
- $\text{H}_2\text{O} \leq 0.5\%$
- Close granulometry
- Minimal fines

Feedstocks

Na_2SO_4 brine feed – all concentrations

Process Characteristics

1. Utilization of glauber salt route to minimize energy consumption
2. Direct conversion of glauber salt to anhydrous in melter
3. Crystal size can be selected over a wide range
4. Close crystal size with minimum fines
5. Low product moisture content of product from fluid bed dryer



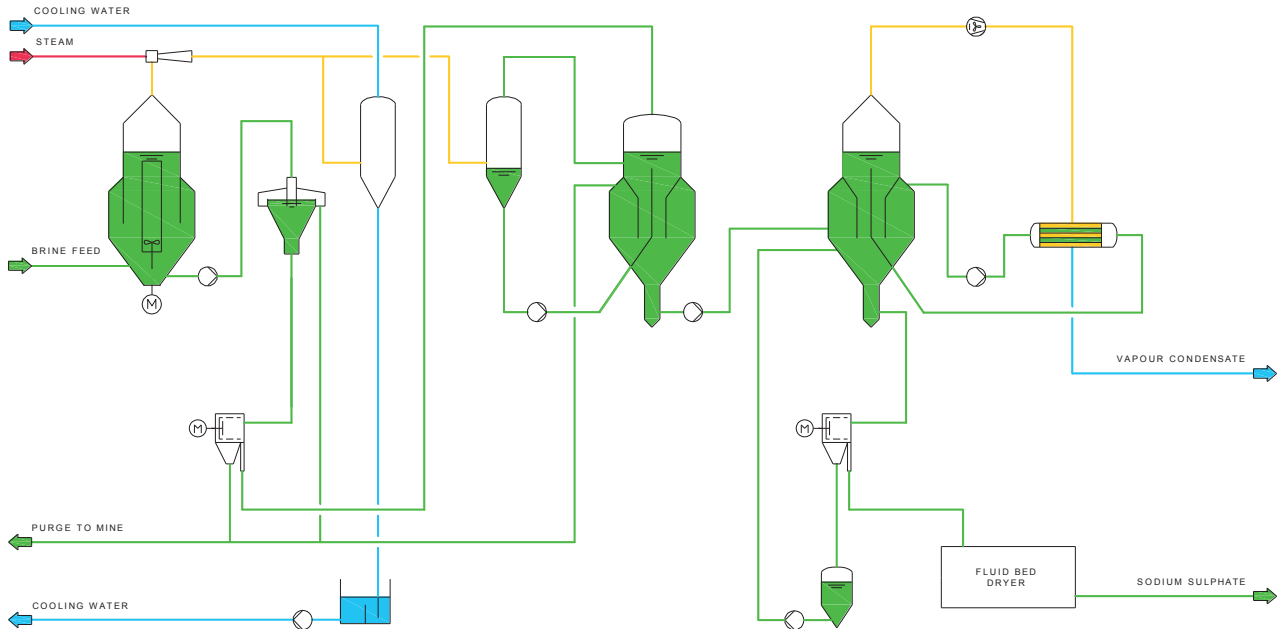
Centrifuge



Transfer Pumps



Typical PFD prepared with the collaboration of FE and CEC



Plant Characteristics

- Wide range of feed compositions
- MVR or multiple effect depending on utility costs
- Cooling water requirement minimised by utilization of brine for condensation
- High plant availability